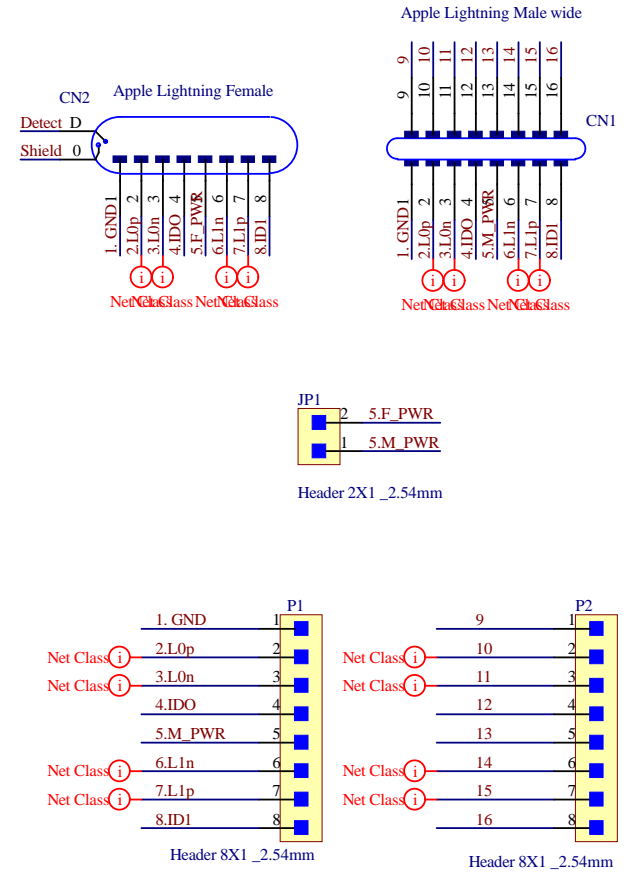
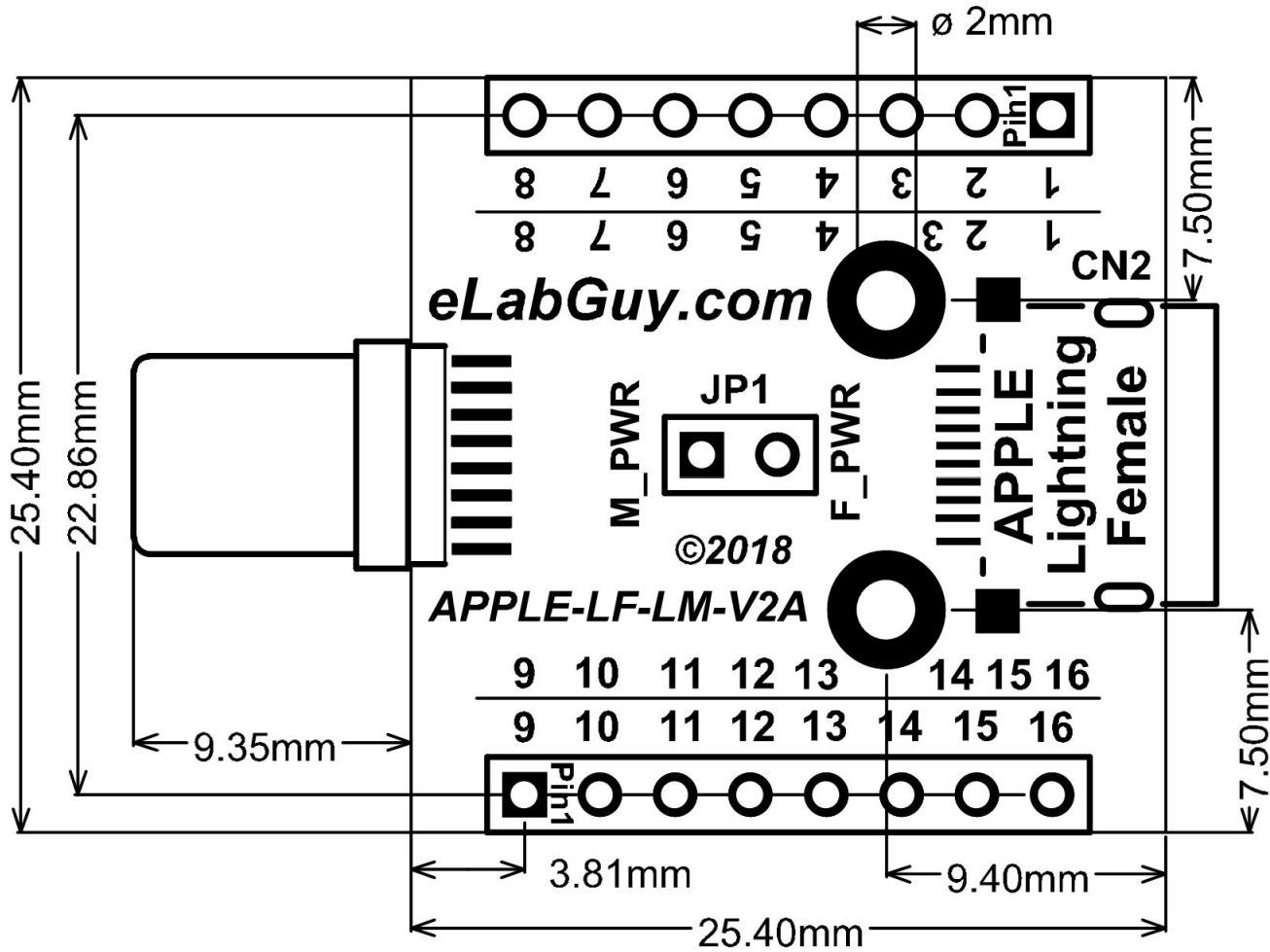


*PCB 0.8mm THICKNESS



Title			
APPLE Lighting Female to Male Pass through			
Size	Number	Revision	
A4	APPLE-LF-LM-V2A	2A	
Date:	10/14/2018	Sheet	of
File:	C:\Users\...\APPLE-LF-LM-V2A.SchDoc	Drawn By:	www.ElabGuy.com