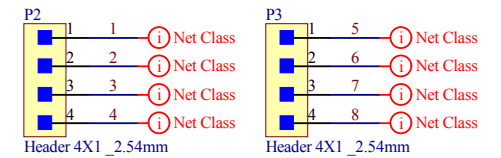
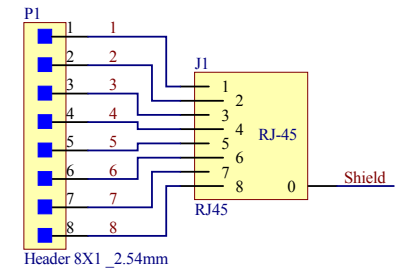
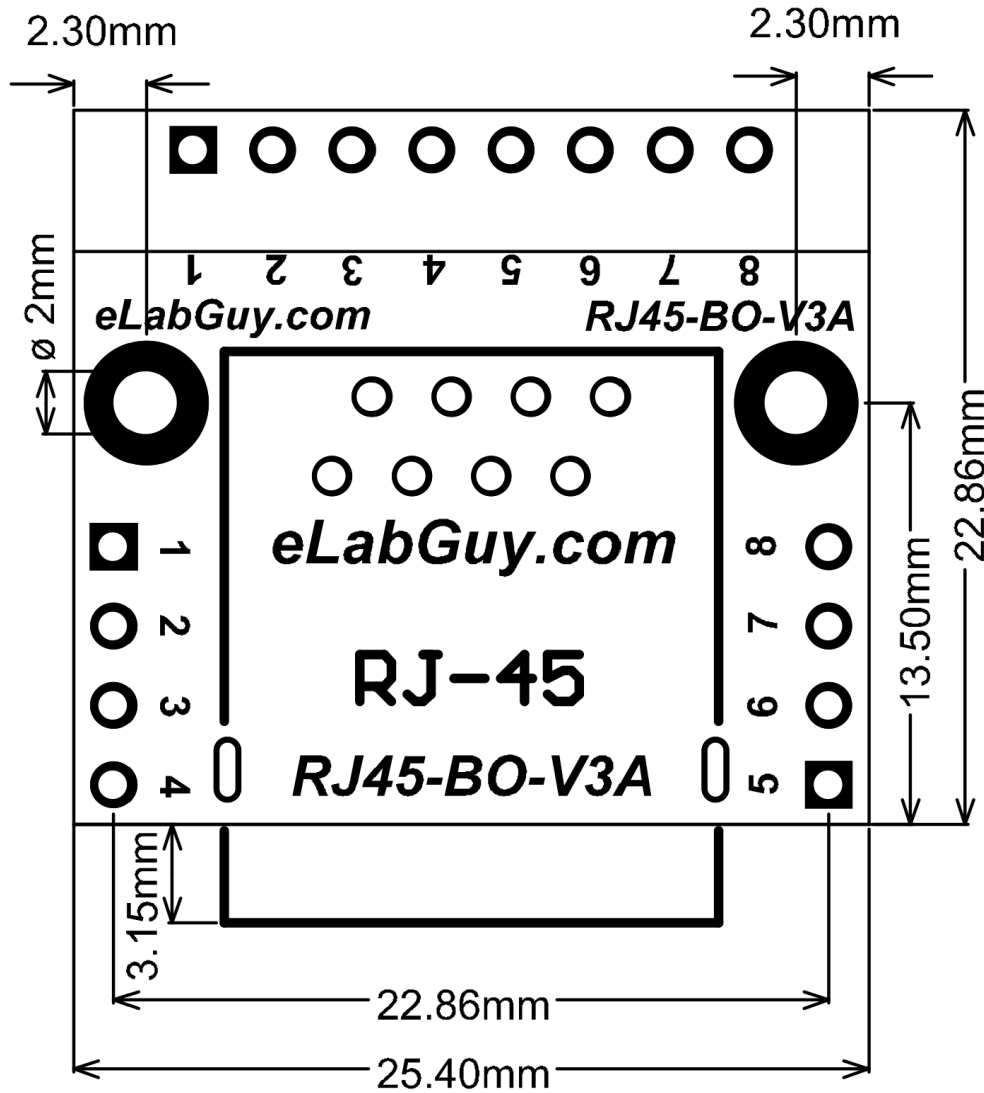


* PCB 1.60mm THICKNESS



Title		RJ45 Female connector breakout	
Size	Number	Revision	
A4	RJ45-BO-V3A	3A	
Date:	11/30/2017	Sheet of	
File:	C:\Users\...RJ45-BO-V3A Drawing.SchDoc	Drawn By:	www.eLabGuy.com