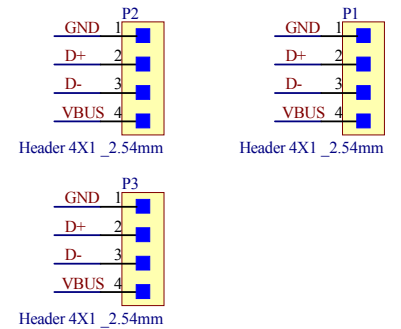
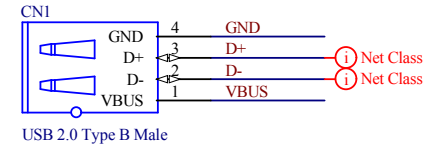
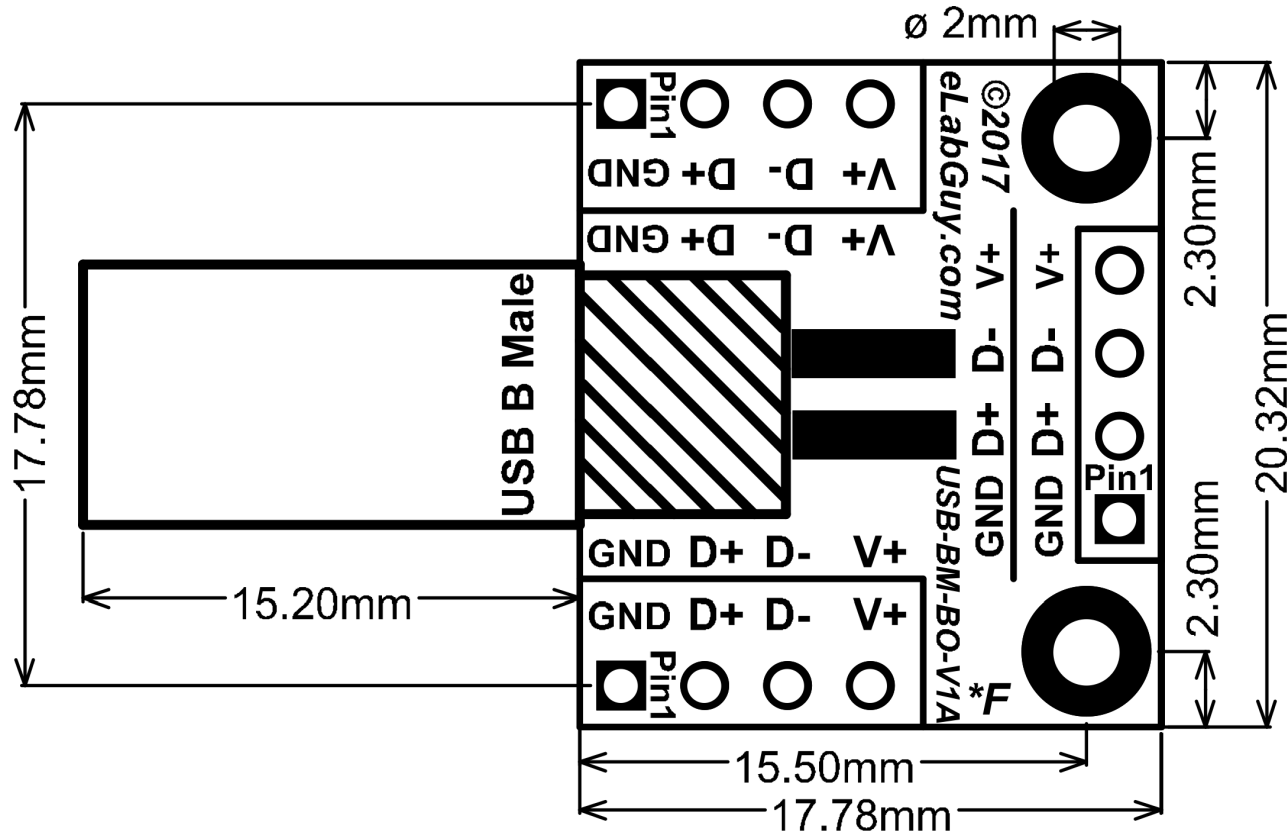


* PCB 1.60mm THICKNESS



Title			USB2.0 Type B Male Breakout		
Size	Number	Revision			
A4	USB-BM-BO-V1A	1A			
Date:	11/30/2017	Sheet of			
File:	C:\Users\...USB-BM-BO-V1A Drawing.SchDoc		Download By: www.eLabGuy.com		